



Surge Arrester Type 111.

Part numbers: PDM320



Category IEC / EN / VDE:

Location of use:

Connections:

Protection modes:

Protective element:

Surge discharge rating:

MOV max withstand capability 1 x 8/20:

Housing:

Complies with:

Class III / Type 3 / D

Branch sub-distribution boards

TN-S, IT

L/N - PE

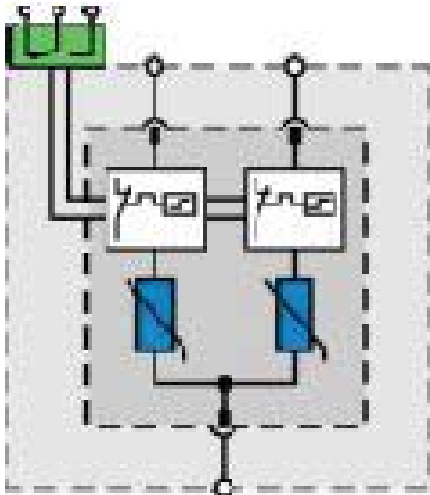
MOV

$U_{oc}/I_{sc} = 10kV/5kA$ per pole

20kA per pole

Modular design

IEC-61643-1



Type

275

Electrical characteristics

Max. continuous operating voltage (AC/DC)	U_c	275/350V
Combination wave (1.2/50, 8/20)	U_{oc}/I_{sc}	10kV/5kA per pole
Max. discharge current (8/20)	I_{max}	10kA per pole
Protection level at U_{oc}/I_{sc}	U_p	< 1.2kV
Follow current	I_f	NO
Response time	t_A	< 25ns
Thermal protection		YES
Back-up fuse (if mains > 63A)		63A gL
Short-circuit withstand current		10kA/50Hz

Mechanical characteristics

Temperature range		- 40°C+ 80°C
Terminal screw torque	Upper terminals	max. 2Nm
	Lower terminal	max. 3.5Nm
Terminal cross section	Upper terminals	6mm ² (solid)/4mm ² (stranded)
	Lower terminal	35mm ² (solid)/25mm ² (stranded)
Mounting EN 60715		35mm top-hat rail
Degree of protection		IP 20
Housing material		Thermoplastic; extinguishing degree UL 94 V-0
Dimensions DIN 43880		1TE
Weight per unit		140g

Remote contacts		YES
Contact ratings		AC: 250V/0.5A; 125V/3A
Terminal cross section		max. 1.5mm ²
Remote terminal torque		0.25Nm
Weight per unit		145g

Packaging dimensions (single unit) 108 x 74 x 24mm

Packaging dimensions (12 pcs.) 219 x 62 x 47mm



Dokument/document Försäkran om överensstämmelse/ Declaration of conformity		Utgava datum/edition date 2016-06-29
Avdelning/department Kvalite/Quality		
Ansvarig/prepared Magnus Arvidsson	Version 2	Sida/page 1 av/of 1

Supplier/Tillverkare:

GARO AB
Box 203
S-335 25 GNOSJO
Sweden

Telephone: +46 (0)370 33 28 00
Telefax: +46 (0)370 33 28 50

Supplier established within EU/Ombud etablerad inom EG

Supplier of equipment /Materielslag : Surge Protection Devices

Trade Mark/ Varumärke: GARO

Type Designation / Typbeteckning: PDM

We hereby declare that our product fulfils the requirements of following EC directives/
Vi intygar härmed att vår produkt uppfyller krav enligt följande EU direktiv:

- The Low Voltage Directive (LVD) 2014/35/EU I Lågspänningsdirektivet (LVD) 2014/35/EU.
- Electromagnetic compatibility (EMC) 2004/108/EU/Elektromagnetisk kompatibilitet (EMC) 2004/108/EG.
- RoHS Directive (RoHS) 2011/65/EU /RoHS direktivet (RoHS) 2011/65/EG.
- No electromagnetic compatibility (EMC) immunity or emission tests are required on the assembly/Produkten innehåller inte elektroniska apparater som påverkas enligt förbehållen enligt direktivet (EMC) 2004/108/EG.

The following harmonised standards (latest edition) or technical specifications which comply with good engineering practice in safety matters in force within the EU have been used in the design: EN61643-1
Följande harmoniserade standarder (senaste utgåva) eller tekniska specifikationer som uppfyller god säkerhetsteknik praxis inom EG har använts i konstruktionen: EN 61643-1

The equipment conforms completely with the above stated harmonised standards or technical specifications./
Materielen överensstämmer helt med ovan angivna harmoniserade standarder eller tekniska specifikationer.

Or/eller

- The equipment confirms only partially with the above stated harmonised standards or technical specifications but complies with good practice in safety matters in force within the EU./
Materielen överensstämmer endast delvis med ovan angivna harmoniserade standarder eller tekniska specifikationer, men uppfyller god säkerhetsteknik praxis inom EG.

We have product surveillance according to CENELEC's harmonised requirements, documents CCA-201.

Garo AB
Company/Företag

2016-06-29
Date/Datum

Sign/Underskrift

Environmental- and Quality Manager/Kvalitets- och Miljöchef
Position/Befattning

Magnus Arvidsson
Name / Namnförtydligande